



Lighting Group

Job : _____ **Project** _____

Type : _____

Part # : _____

Tripod 3 Landscape

by **LEDLAB**

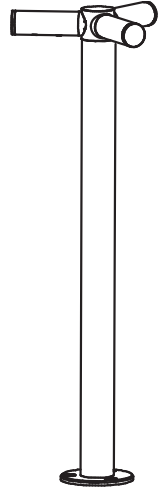
Description

Beauty from strength. Tripods are machined from solid metal and will survive... everything. Landscape models are available in three standard heights. Suitable for outdoors... anywhere.

Specifications

Brand	LedLab
Source	6x 3 watt Surface Mount LED
Input	120-277VAC 50/60Hz
LED Driver	Integral. Dimmable to 10% w/ trailing edge phase control dimmer
Power	22 watts
C.C.T.	Warm White [3200 K] or Cold White [6000 K]
Material	Aluminum, Stainless Steel or Brass body with Stainless Steel components
Adjustability	Center Hub and Arms rotate 360°
Weight	500mm: Aluminum = 4.7 lb. [2.1 kg], Stainless Steel or Brass = 11.5 lb. [5.2 kg] 700mm: Aluminum = 5.1 lb. [2.3 kg], Stainless Steel or Brass = 11.9 lb. [5.4 kg] 900mm: Aluminum = 5.5 lb. [2.5 kg], Stainless Steel or Brass = 12.3 lb. [5.6 kg]
Location	Listed for Wet Locations
Approvals	ETL Listed. Conforms to UL Standards 1598, 8750; certified to CSA C22.2 No. 250.0-08
Life	> 50,000 hours at 70% lumen maintenance
Warranty	Lifetime Limited Warranty - see warranty for details

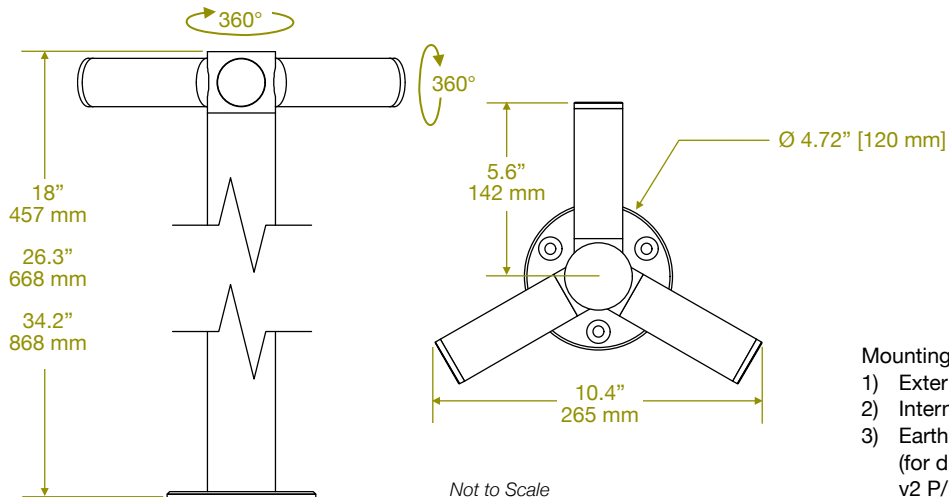
WET
LOCATION



Ordering Info

Model	Height	Color Temperature	Material	Color & Finish	
LTR3	<input type="text"/>	<input type="text"/>	<input type="text"/>	<input type="text"/>	
LTR3	5 = 500 mm - 7 = 700 mm 9 = 900 mm	32 = 3200 K 60 = 6000 K	A = Aluminum S = Stainless Steel B = Brass	See "Material & Finish Chart - LedLab Series" for all options	Custom materials and finishes available

Dimensions



- Mounting Options:
- 1) External Flange
 - 2) Internal Hidden Base
 - 3) Earth Spike Accessory (for direct soil installation)
v2 P/N: LTRLEP1