



Lighting Group

Nano

by **LEDLAB**

Job : _____ **Project** _____

Type : _____

Part # : _____

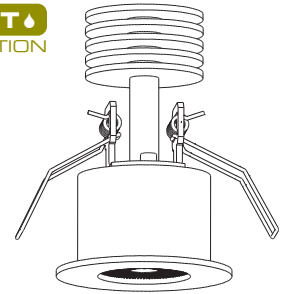
Description

The smallest recessed LED fixture available, Nano is proof that good things come in small packages. Suitable for recessed mounting in ceilings and walls both indoors and outdoors.

Specifications

Brand	LedLab
Source	3 watt Surface Mount LED
Input	700mA Constant Current LED Driver
LED Driver	See LED Driver section for driver and dimming options
Power	3 watts
C.C.T.	Warm White [3200 K] or Cold White [6000 K]
Lens	25°
Material	Aluminum Body with Stainless Steel & Polycarbonate components
Finish	Anodized Base + Powder Coat Finish
Weight	0.4 lb. [0.2 kg]
Location	Listed for Wet Locations, Non IC rated, ADA Compliant
Approvals	ETL Listed. Conforms to UL Standards 2108, 8750; certified to CSA C22.2 No. 9.0-96
Life	> 50,000 hours at 70% lumen maintenance
Warranty	Lifetime Limited Warranty - see warranty for details

WET
LOCATION

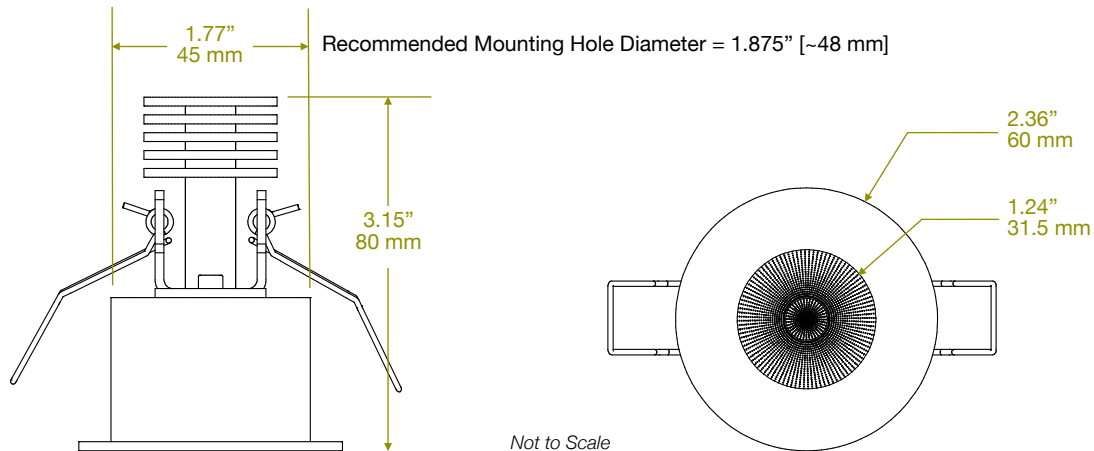


Ordering Info

Model	C.C.T.	Lens	Material	Color & Finish
LNN3WD		25	A	
LNN3WD	32 = 3200 K 60 = 6000 K	25 = 25°	A = Aluminum	WHG = White Gloss SGT = Silver Gray Texture BKT = Black Texture

Custom materials and finishes available. See "Material & Finish Chart - LedLab Series" for options.

Dimensions



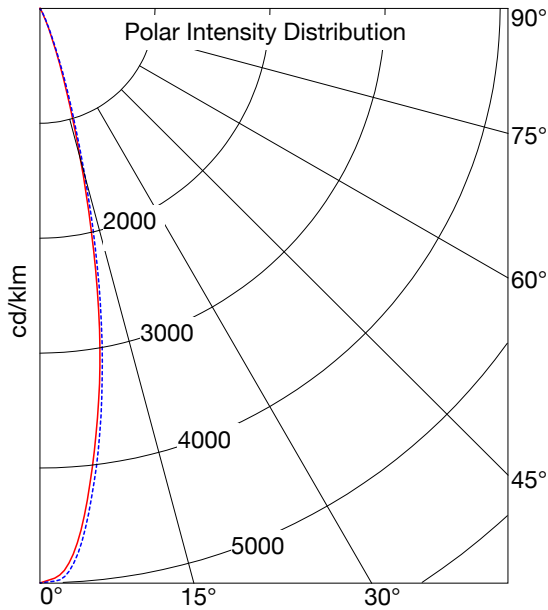


Lighting Group

Nano

by **LEDLFB**

Photometrics - Cold White



Height (feet)	Cone Diagram	Illuminance		Beam Diameter (feet)
		(fc)	(lux)	
2		174	1868	0.82
4		43	467	1.64
6		19	208	2.46
8		11	117	3.28
10		7	75	4.10
12		5	52	4.92

23° beam angle at 50% of peak brightness

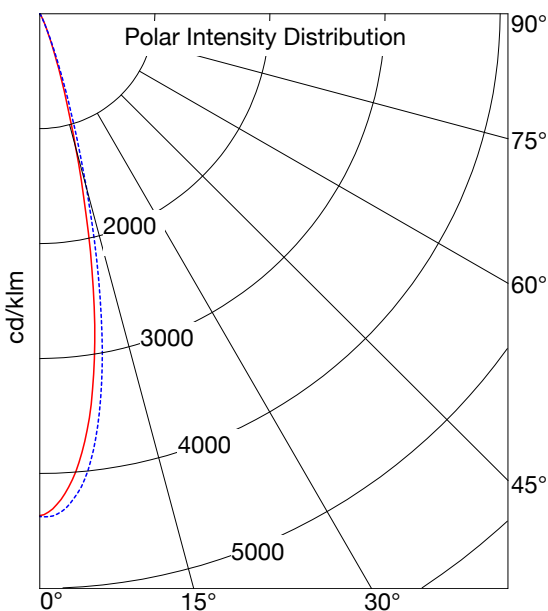
Luminaire Flux = 110 lm

Luminous Intensity = 550 cd @ 0°

- C0 - C180
- - - C90 - C270

IES files available at www.v2LightingGroup.com

Photometrics - Warm White



Height (feet)	Cone Diagram	Illuminance		Beam Diameter (feet)
		(fc)	(lux)	
2		120	1287	0.82
4		30	322	1.64
6		13	143	2.46
8		7	80	3.28
10		5	51	4.10
12		3	36	4.92

23° beam angle at 50% of peak brightness

Luminaire Flux = 88 lm

Luminous Intensity = 378 cd @ 0°

- C0 - C180
- - - C90 - C270

IES files available at www.v2LightingGroup.com