



Installation Instructions 200 / 300 / 400 Pendant Deep Canopy w/ Aircraft Cable

WARNING !

- Read all instructions before installing.
- Turn off power at main switch before installing or modifying the system.
- For installation by a qualified electrician.
- Luminaire is intended for installation in accordance with National Electric Code and local regulations. Consult with local inspector to assure compliance.
- Retain these instructions for future reference.

NOTE

- SUITABLE FOR DAMP LOCATIONS
CONVIENT AUX EMPLACEMENTS HUMIDES
- MIN 90°C SUPPLY CONDUCTORS
LES FILS D'ALIMENTATION DOIVENT CONVENIR POUR 90°C
- The canopy is designed to work with a standard round or octagonal junction box [1] (supplied and installed by others).
- 200 series pendants use a remote mounted LED driver which should be installed in accordance with National Electric Code and local regulations.
- 300 or 400 series pendant may have either a remote or internally mounted LED Driver.

INSTALLATION

- Attach bracket [2] to the junction box [1] using two 8-32 screws [3].
- Attach LED driver [5] to the bracket [2] using two 6-32 screws [4].
- Attach the cross bar [10] to the bracket [2] using two 8-32 screws [11].
- Insert the aircraft cable [9] from the pendant into the gripper [8].
- Thread the cord [7] from the pendant through the gripper [8] then through the canopy [6], then through the hole in the center of the cross bar [10].
- Determine the desired final height of the pendant and tie a backup knot in the cord [7] above the cross bar [2]. Trim excess cord length if necessary.
- Inside the junction box [1], connect the wires using approved wire connectors as follows:

For Remote Mounted LED Driver:

WARNING:

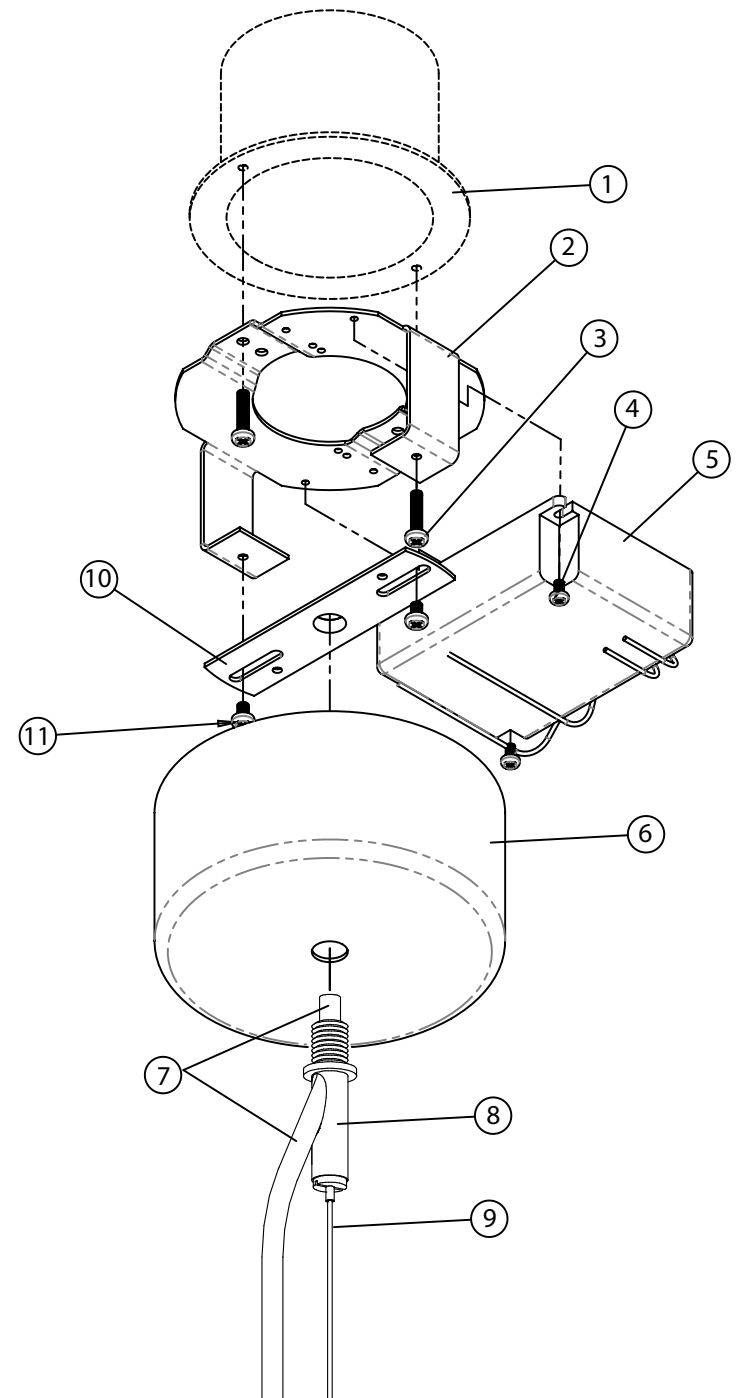
- **Polarity is critical. Reversing the polarity may result in damage to the LED or the driver.**
- **Never connect LED to LED driver while energized. This may result in damage to the LED.**
- **Damage due to incorrect connections can be detected at the factory and is not covered under warranty.**

- 1) V- : Black wire from the pendant to the black or blue wire from the LED driver output.
- 2) V+ : White or red wire from the pendant to the red wire from the LED driver output.

For Internal LED Driver:

- 1) Line: Black to Black
- 2) Neutral: White to White
- 3) Ground: Green to Green / incoming ground wire. Bond to junction box as required.

- Slide the canopy [6] into position and then screw the gripper assembly [8] into the cross bar [2] until the canopy is secure against the finished ceiling. Supporting the weight of the pendant will make this easier.
- Adjust both the cord [7] and the suspension cable [9] to the desired length.
- The power cord [7] may be left longer than or equal to the length of the suspension cable [9]. The power cord should not support any weight of the fixture.





Installation Instructions TUBE 200 / 300 / 400 Pendant Shallow Canopy

WARNING !

- Read all instructions before installing.
- Turn off power at main switch before installing or modifying the system.
- For installation by a qualified electrician.
- Luminaire is intended for installation in accordance with National Electric Code and local regulations. Consult with local inspector to assure compliance.
- Retain these instructions for future reference.

NOTE

- SUITABLE FOR DAMP LOCATIONS
CONVIENT AUX EMPLACEMENTS HUMIDES
- MIN 90°C SUPPLY CONDUCTORS
LES FILS D'ALIMENTATION DOIVENT CONVENIR POUR 90°C
- The canopy is designed to work with a standard round or octagonal junction box [1] (supplied and installed by others).
- The TUBE 200 Pendant uses a remote mounted LED driver which should be installed in accordance with National Electric Code and local regulations.
- The TUBE 300 or 400 Pendant may have either a remote or internally mounted LED Driver.

INSTALLATION

- Attach the cross bar [2] to the junction box [1] using two 8-32 screws [3].
- Insert the aircraft cable [7] into the gripper [5].
- Thread the cord [6] from the pendant through the gripper [5] then through the canopy [4], then through the hole in the center of the cross bar [2].
- Determine the desired final height of the pendant and tie a backup knot in the cord [7] above the cross bar [2]. Trim excess cord length if necessary.
- Inside the junction box [1], connect the wires using approved wire connectors as follows:

For Remote Mounted LED Driver:

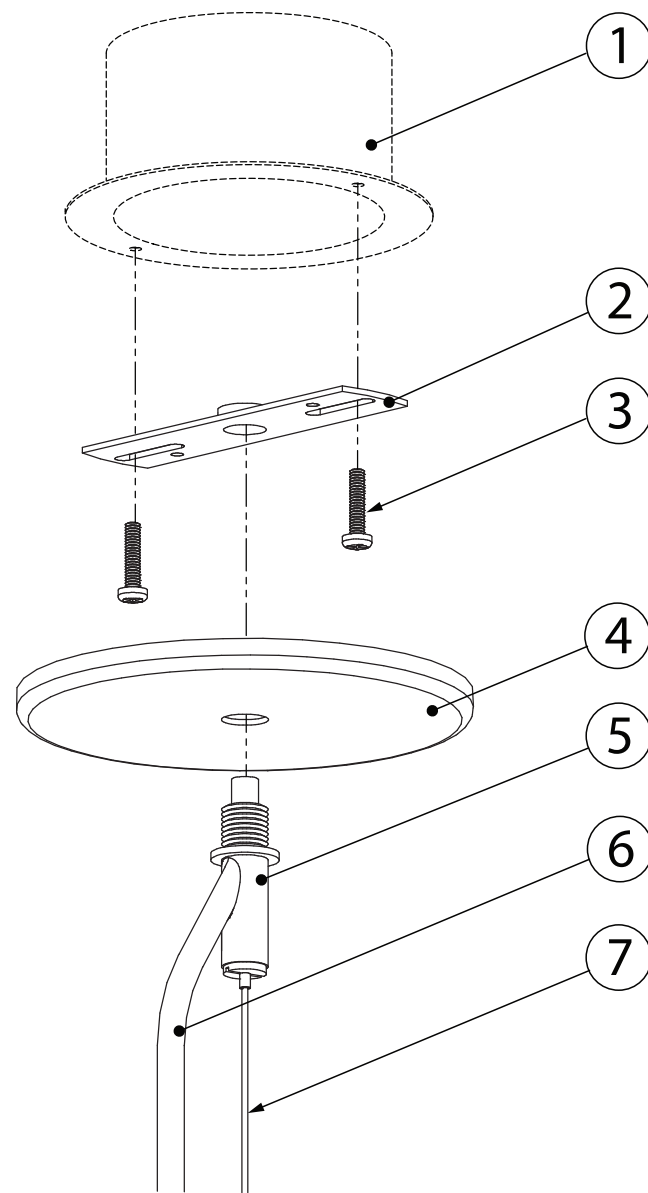
NOTE: Polarity is critical. Reversing the polarity may result in damage to the LED or the driver.

- 1) V- : Black wire from the pendant to the black or blue wire from the LED driver output.
- 2) V+ : White or red wire from the pendant to the red wire from the LED driver output.

For Internal LED Driver (TUBE 300 and 400 only):

- 1) Line: Black to Black
- 2) Neutral: White to White
- 3) Ground: Green to Green / incoming ground wire. Bond to junction box as required.

- Slide the canopy [4] into position and then screw the gripper assembly [5] into the cross bar [2] until the canopy is secure against the finished ceiling. Supporting the weight of the pendant will make this easier.





Installation Instructions TUBE 200 / 300 / 400 Pendant Shallow Canopy

DIFFUSER ASSEMBLY

- The diffuser tube may be attached to the fixture shell either before or after installation, whichever is more convenient
- Remove the three set screws [9] from the shell [8].
- Slide the diffuser tube [10] into the shell [8] and align the screw holes.
- Install the three set screws [9] into the shell [8].
- NOTE - the set screws should go **through** the holes in the diffuser tube. They should **NOT** press against the tube as this may cause the tube to crack.

