



## Assembly Instructions TORO Pendants

### WARNING !

- Read all instructions before installing.
- Turn off power at main switch before installing or modifying the system.
- For installation by a qualified electrician.
- Luminaire is intended for installation in accordance with National Electric Code and local regulations. Consult with local inspector to assure compliance.
- Retain these instructions for future reference.

### NOTE

- Use this instruction sheet to assemble the components of a TORO fixture.
- Refer to the main installation sheet for installation and wiring of the fixture.

### ASSEMBLY

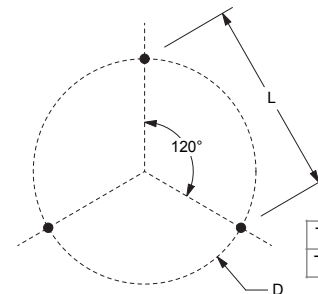
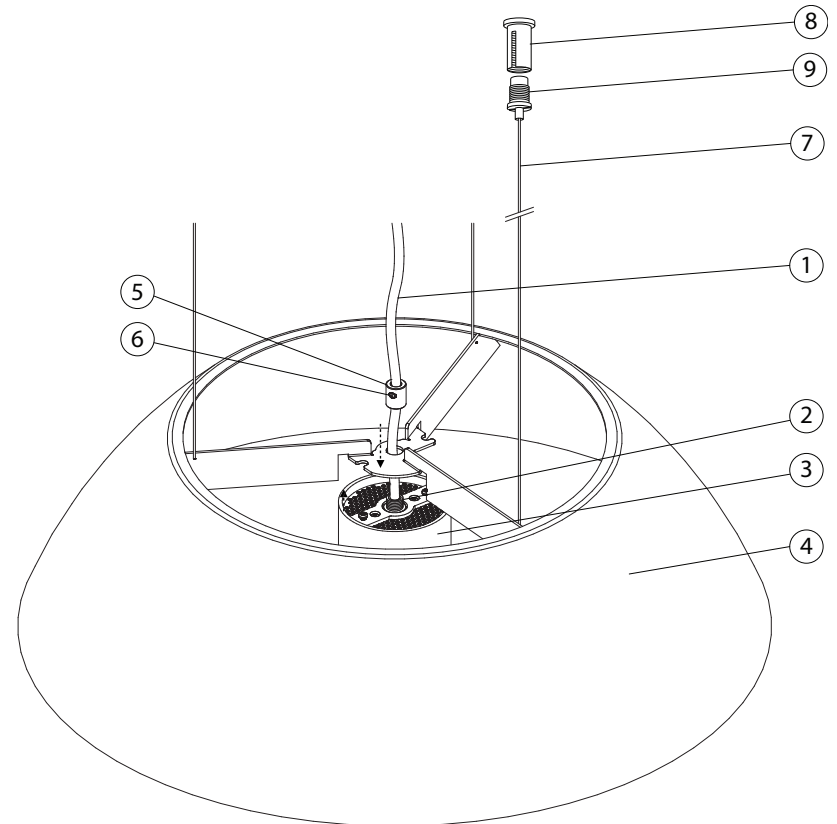
- The main fixture [3] and the shade [4] are shipped separately and require assembly before installation.
- Feed the fixture cord [1] up through the center hole of the shade [4].
- After the cord is fed through, slide the threaded nipple [2] up through the hole in the shade [4].
- Slide the strain relief assembly [5+6] down the cord [1] and screw it on to the nipple [2]. This attaches the main fixture [3] to the shade [4].
- After the strain relief assembly is completely tight, tighten the set screw [6] to secure the cord.

### AIRCRAFT CABLE MOUNTING

- If the aircraft cables [7] are attached to the canopy, proceed to the main installation sheet for installation of the canopy and wiring of the fixture.
- If the aircraft cables [7] mount to the ceiling:
  - Each aircraft cable attaches to the ceiling via a cable gripper [8+9]. The cable gripper has two parts - one part that mounts to the ceiling [8] and the gripper [9] that screws into the mount.
  - Locate the mounting points on the ceiling according the layout drawings opposite.
  - Attach the mounts [8] to the ceiling using hardware appropriate for the surface (not included).
  - Feed the loose end of the suspension cable through the cable gripper [9]. Screw the cable gripper into the mount [8]. The extra cable length goes through the slot on the side of the mount.
  - Adjust the lengths of the steel suspension cables as desired. Any extra cable may be cut off.
  - The power cord may be left longer than or equal to the length of the suspension cable. The power cord should not support any weight of the fixture.

### INSTALLATION

- Refer to the main installation sheet for installation of the canopy and wiring of the fixture.



	D Mounting Circle Diameter	L Point to Point Distance
TORO Small	12.5"	10.8"
TORO Large	24"	20.75"