



BRIO



Lighting Group

Brio

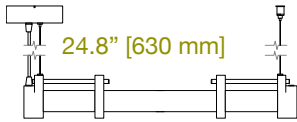
by **LEDLFB**

Series

A striking linear fixture, Brio combines machined aluminum and pure light. Available in a variety of single and twin lengths, any combination of two single lengths can be combined into a custom fixture.

Brio 600

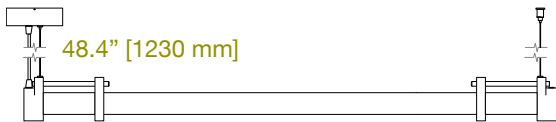
DAMP
LOCATION



Brio 900



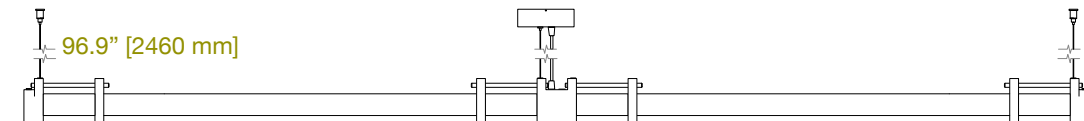
Brio 1200



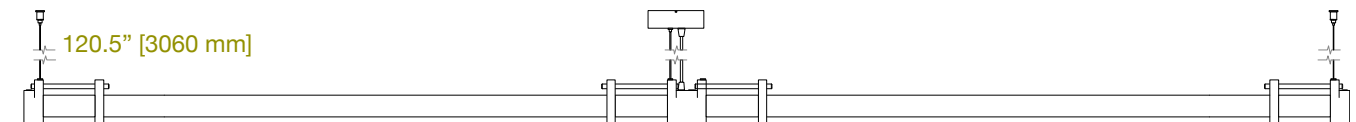
Brio 1500



Brio 2400



Brio 3000





Lighting Group

Job :	Project
Type :	
Part # :	

Brio 600, 900

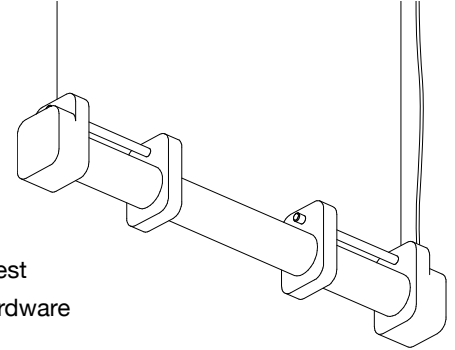
by **LEDLAB**

Description

A striking linear fixture, Brio combines machined aluminum and pure light. Suitable for suspended mounting in dry and damp locations.

Specifications

Brand	LedLab
Source	Surface Mount LED Array
Input	90-290VAC, 50/60Hz
Power	Brio 600: 9W, Brio 900: 13W
C.C.T.	Warm [3000 K], Neutral [4250] or Cool White [5000 K] Alternate LED sources are available - contact v2 for details
Directivity	Output can be directed down, up or any custom angle by request
Material	Aluminum body with Satiné-Blend diffuser & Stainless Steel hardware
Finish	UV stable clear finish on brushed aluminum
Weight	Brio 600: 6.0 lb. [2.7 kg], Brio 900: 6.2 lb. [2.8 kg]
Location	Listed for Damp Locations
Approvals	ETL Listed. Conforms to UL Standards 1598, 8750; certified to CSA C22.2 No. 250.0-08
Life	> 50,000 hours at 70% lumen maintenance
Warranty	Lifetime Limited Warranty - see warranty for details



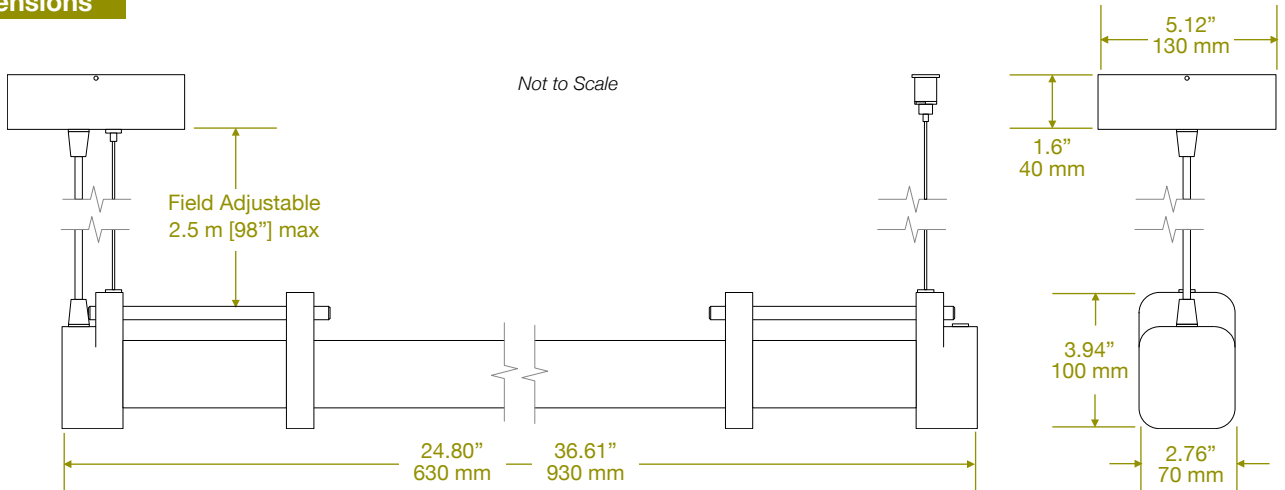
DAMP
LOCATION



Ordering Info

Model	Length	Color Temperature
LBR		
LBR	06 = 2' [600 mm] 09 = 3' [900 mm]	32 = 3200K 42 = 4250K 50 = 5000K

Dimensions





Lighting Group

Job :	<input type="text"/>	Project
Type :	<input type="text"/>	
Part # :	<input type="text"/>	

Brio 1200, 1500

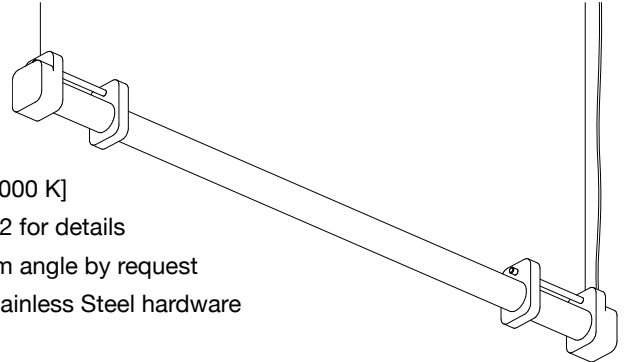


Description

A striking linear fixture, Brio combines machined aluminum and pure light. Suitable for suspended mounting in dry and damp locations.

Specifications

Brand	LedLab
Source	Surface Mount LED Array
Input	90-290VAC, 50/60Hz
Power	Brio 1200: 18W, Brio 1500: 22W
C.C.T.	Warm [3000 K], Neutral [4250] or Cool White [5000 K] Alternate LED sources are available - contact v2 for details
Directivity	Output can be directed down, up or any custom angle by request
Material	Aluminum body with Satiné-Blend diffuser & Stainless Steel hardware
Finish	UV stable clear finish on brushed aluminum
Weight	Brio 1200: 6.4 lb. [2.9 kg], Brio 1500: 6.6 lb. [3.0 kg]
Location	Listed for Damp Locations
Approvals	ETL Listed. Conforms to UL Standards 1598, 8750; certified to CSA C22.2 No. 250.0-08
Life	> 50,000 hours at 70% lumen maintenance
Warranty	Lifetime Limited Warranty - see warranty for details



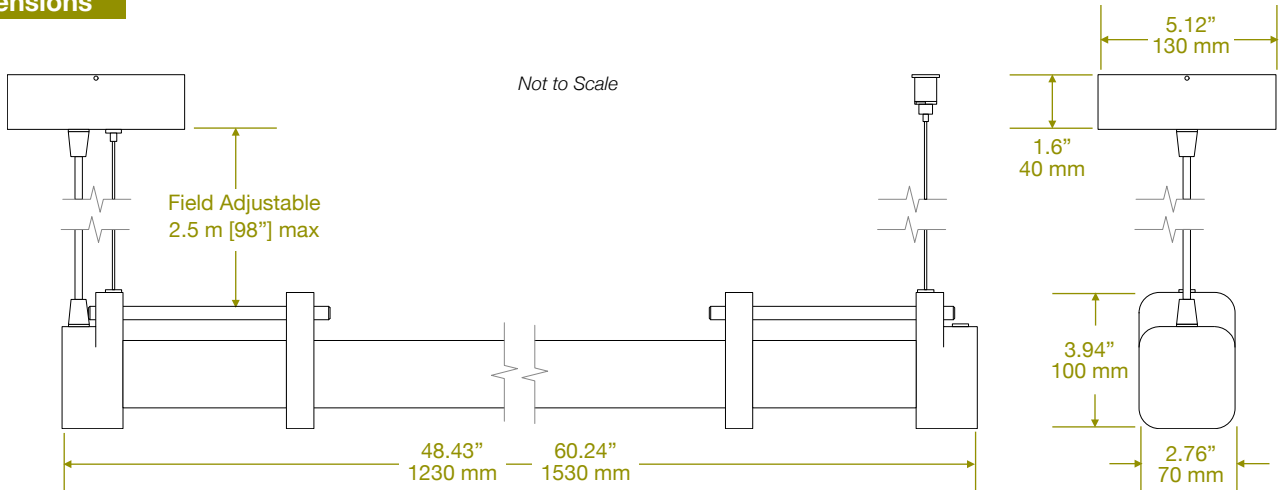
DAMP
LOCATION



Ordering Info

Model	Length	Color Temperature
LBR		
LBR	12 = 4' [1200 mm] 15 = 5' [1500 mm]	32 = 3200K 42 = 4250K 50 = 5000K

Dimensions





Lighting Group

Job : _____ **Project** _____

Type : _____

Part # : _____

Brio 2400, 3000

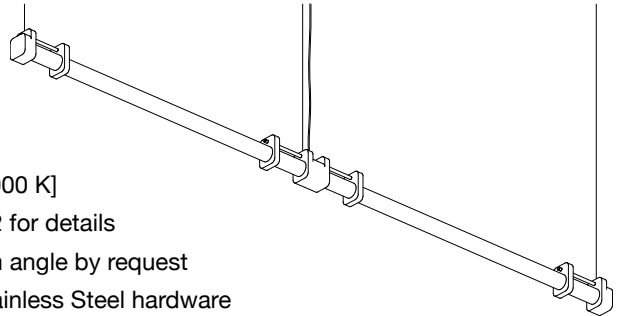
by **LEDLAB**

Description

A striking linear fixture, Brio combines machined aluminum and pure light. Suitable for suspended mounting in dry and damp locations.

Specifications

Brand	LedLab
Source	Surface Mount LED Array
Input	90-290VAC, 50/60Hz
Power	Brio 2400: 36W, Brio 3000: 44W
C.C.T.	Warm [3000 K], Neutral [4250] or Cool White [5000 K] Alternate LED sources are available - contact v2 for details
Directivity	Output can be directed down, up or any custom angle by request
Material	Aluminum body with Satiné-Blend diffuser & Stainless Steel hardware
Finish	UV stable clear finish on brushed aluminum
Weight	Brio 2400: 12.8 lb. [5.8 kg], Brio 3000: 13.2 lb. [6.0 kg]
Location	Listed for Damp Locations
Approvals	ETL Listed. Conforms to UL Standards 1598, 8750; certified to CSA C22.2 No. 250.0-08
Life	> 50,000 hours at 70% lumen maintenance
Warranty	Lifetime Limited Warranty - see warranty for details



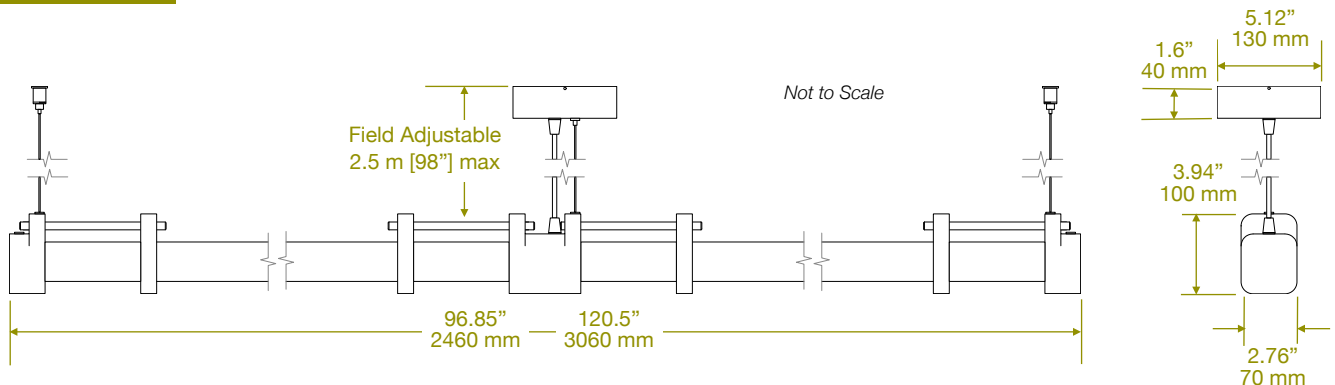
DAMP
LOCATION



Ordering Info

Model	Length	Color Temperature
LBR	<input type="text"/>	- <input type="text"/>
LBR	24 = 8' [2400 mm] 30 = 10' [3000 mm]	32 = 3200K 42 = 4250K 50 = 5000K

Dimensions





Lighting Group

Brio

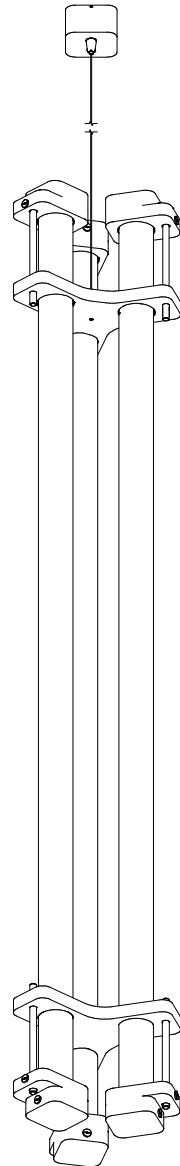
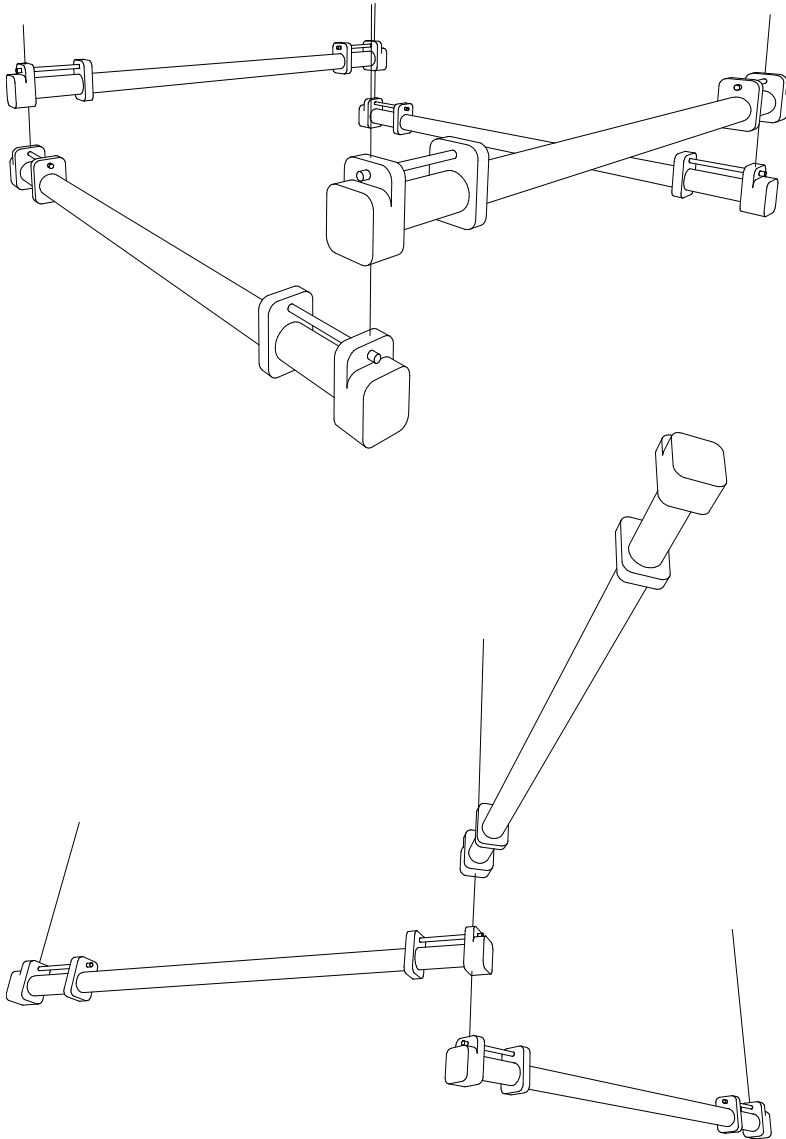
by **LEDLFB**

Combinations

Brios can be interconnected mechanically and electrically to create any arrangement. Start thinking in three dimensions.

Custom

We welcome custom variations, such as this triple pendant. Let your imagination run wild - we'll keep up.



DAMP
LOCATION



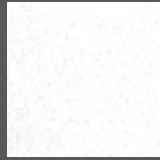
MATERIAL & FINISH CHART

LEDLAB SERIES

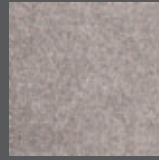
ALUMINUM FIXTURES:
ANODIZED UNDERCOAT
POWDER COAT FINISH



GLOSS
WHITE
(AWHG)



TEXTURED
WHITE
(AWHT)



TEXTURED
SILVER GRAY
(ASGT)



TEXTURED
BLACK
(ABKT)



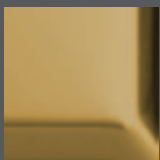
CUSTOM

CUSTOM COLORS
& FINISHES AVAILABLE

BRASS FIXTURES:
ELECTROPLATED FINISH

OPTIONAL CLEAR, UV STABLE OVERCOAT
AVAILABLE IN MATTE, SATIN OR GLOSS

SOME FINISHES MAY WEATHER TO A
NATURAL PATINA IF INSTALLED OUTDOORS



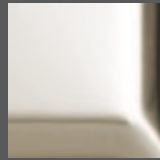
POLISHED
BRONZE
(BBZP)



POLISHED
COPPER
(BCPP)



POLISHED
BRASS
(BBSP)



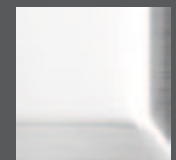
POLISHED
NICKEL
(BNKP)



POLISHED
CHROME
(BCHP)



POLISHED
24K GOLD
(BGDP)



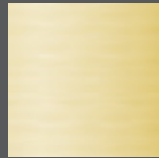
ELECTRO-
POLISHED
(SxxE)



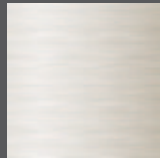
BRUSHED
BRONZE
(BBZB)



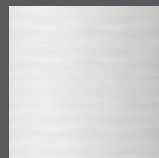
BRUSHED
COPPER
(BCPB)



BRUSHED
BRASS
(BBSP)



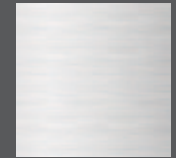
BRUSHED
NICKEL
(BNKB)



BRUSHED
CHROME
(BCHB)



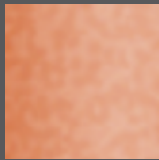
BRUSHED
24K GOLD
(BGDB)



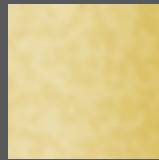
BRUSHED
STAINLESS
(SxxB)



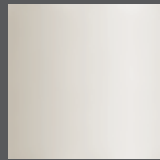
NATURAL
BRONZE
(BBZN)



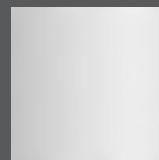
NATURAL
COPPER
(BCPN)



NATURAL
BRASS
(BBSN)



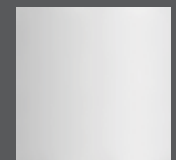
SATIN
NICKEL
(BNKS)



SATIN
CHROME
(BCHS)



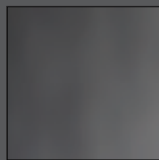
SATIN
24K GOLD
(BGDS)



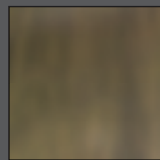
SATIN
STAINLESS
(SxxS)

STAINLESS STEEL FIXTURES:
TYPE 316L

BRASS FIXTURES:
PATINA FINISH



GUNMETAL
(BGNx)



ANTIQU
BRASS
(BABx)



OIL RUBBED
BRONZE
(BOBx)

OPTIONAL CLEAR, UV STABLE
OVERCOAT AVAILABLE IN MATTE,
SATIN OR GLOSS



Lighting Group